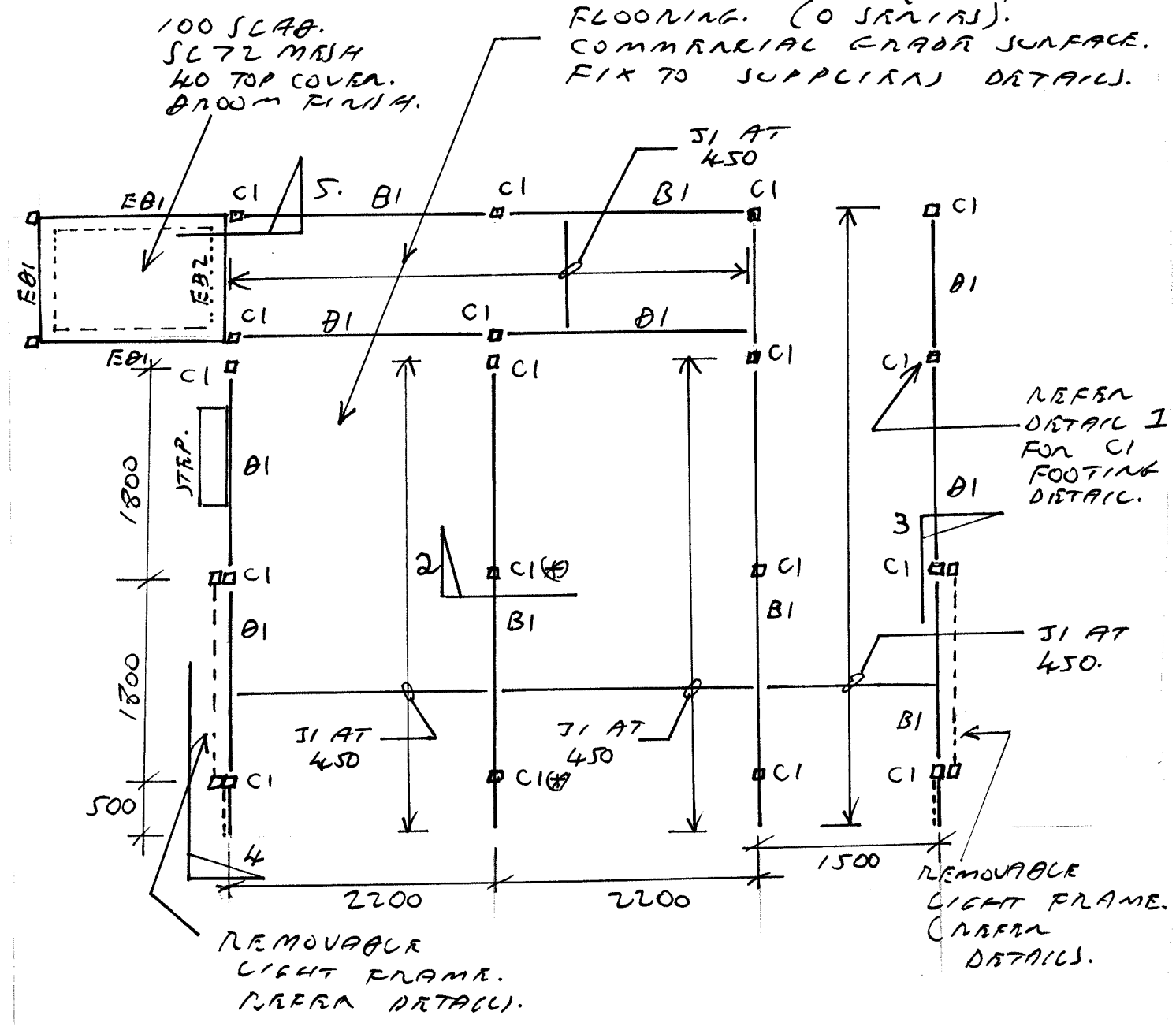


MATERIAL SCHEDULE	
ITEM	MATERIAL
J1	E10019.
B1	125x75x2.0 RHS.
C1	75x75x2.0 SHS.

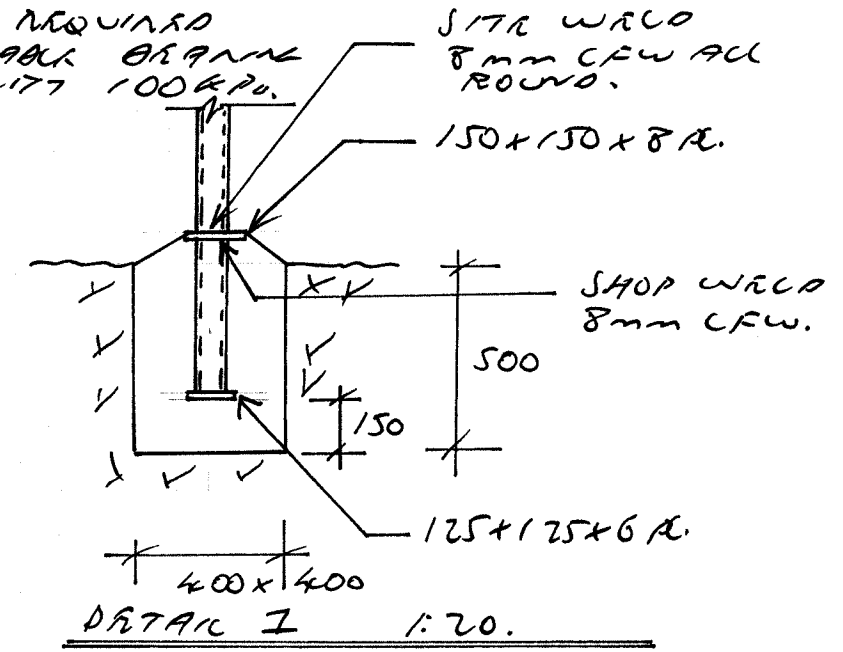
GRATEX F-MG30(19/19)M
 FLOORING. (0 STRIPS).
 COMMERCIAL GRABR SURFACE.
 FIX TO SUPPLIER'S DETAILS.



FLOOR FRAMING PLAN 1:50.

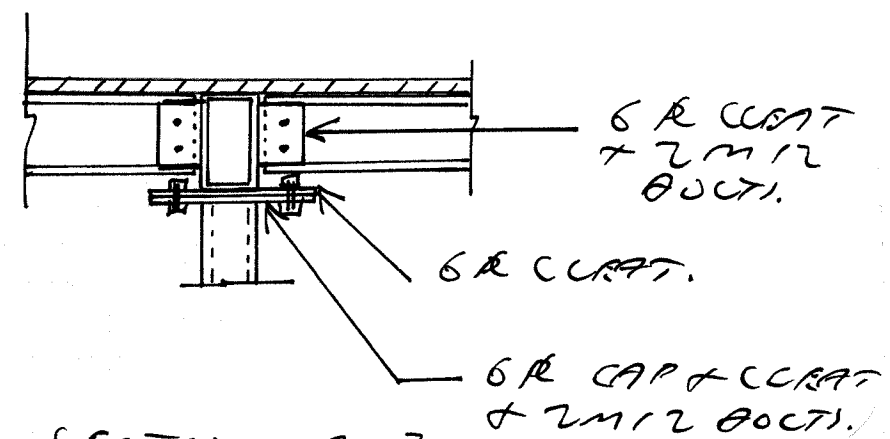
NOTE:- C1 FOOTINGS TO BE 400x400x500 DEEP.
 AT LOCATIONS DEVOTED C1(4) FOOTINGS
 TO BE 475x475x500 DEEP.

NOTE:- FOUND FOOTING
 200 MIN. INTO NATURAL
 SOIL. REQUIRED
 ALLOWABLE BEARING
 CAPACITY 100KPa.

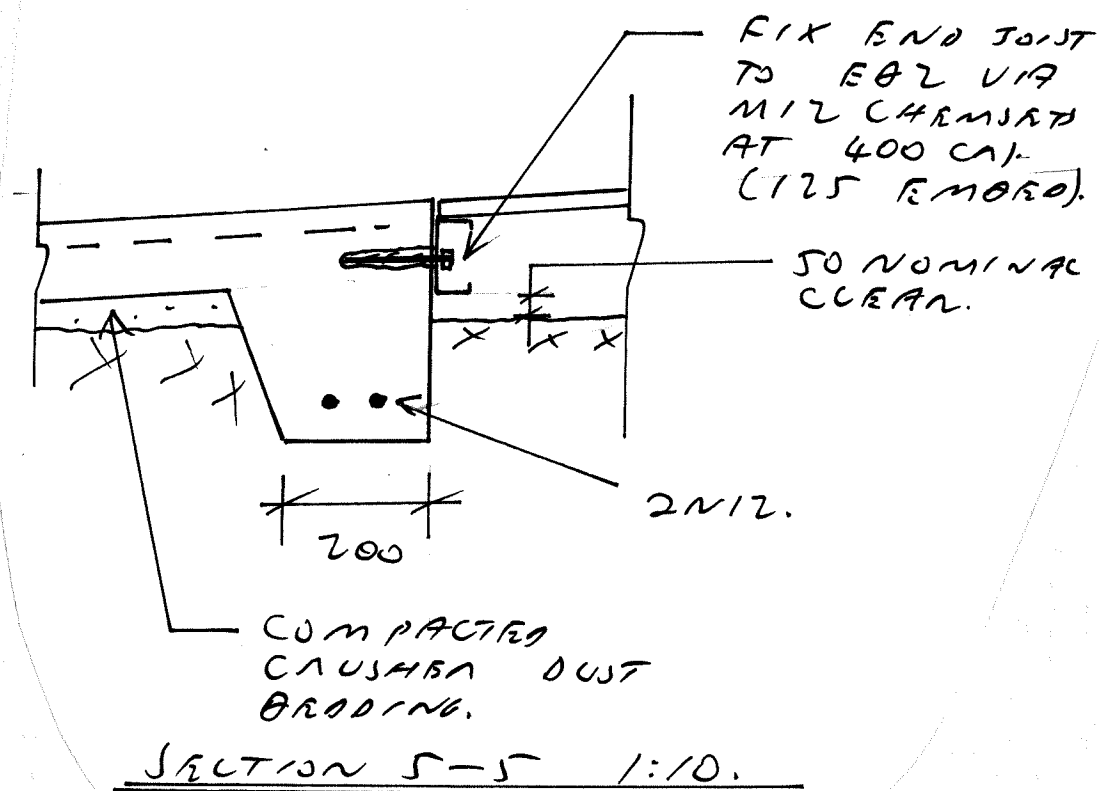
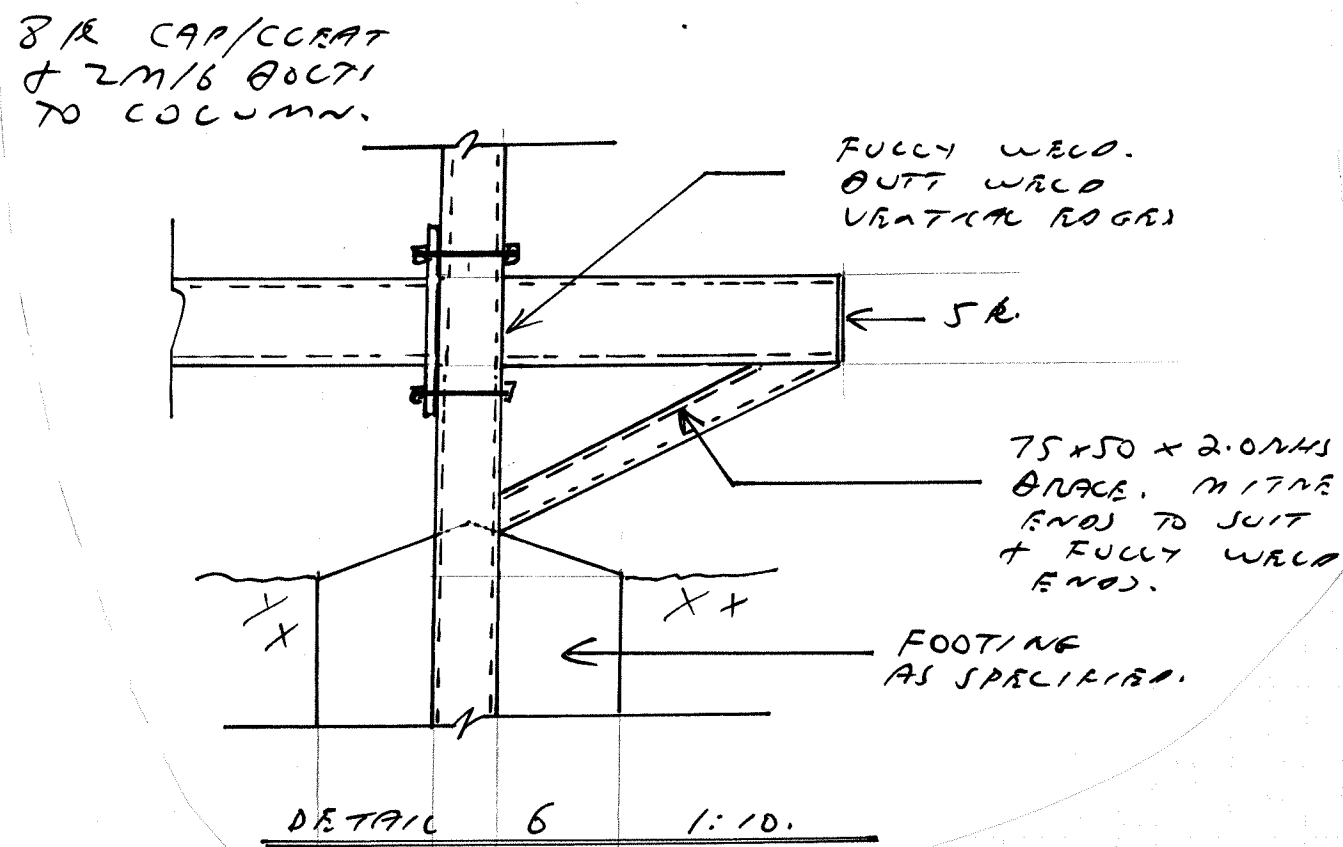
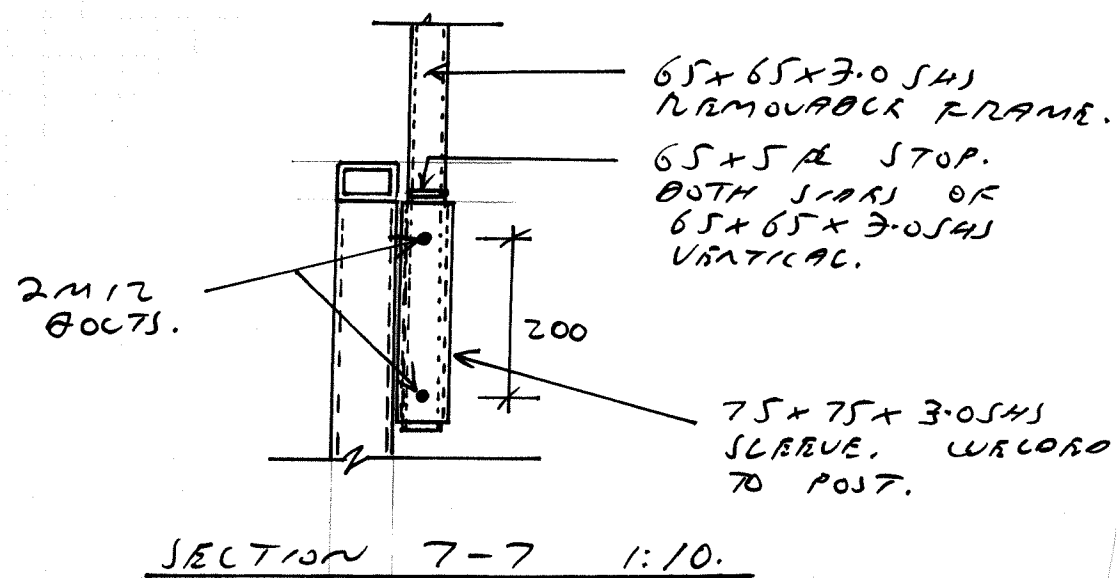
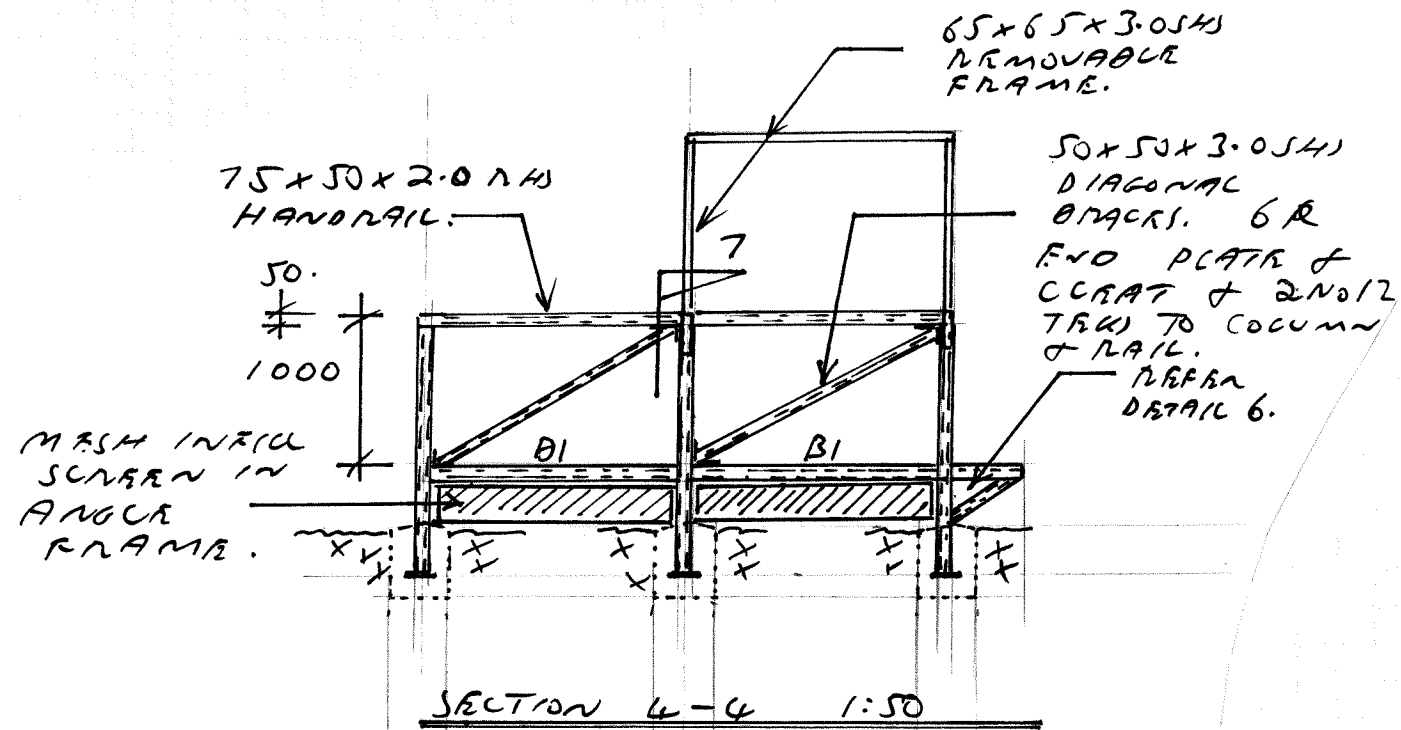


DETAIL 1 1:20.

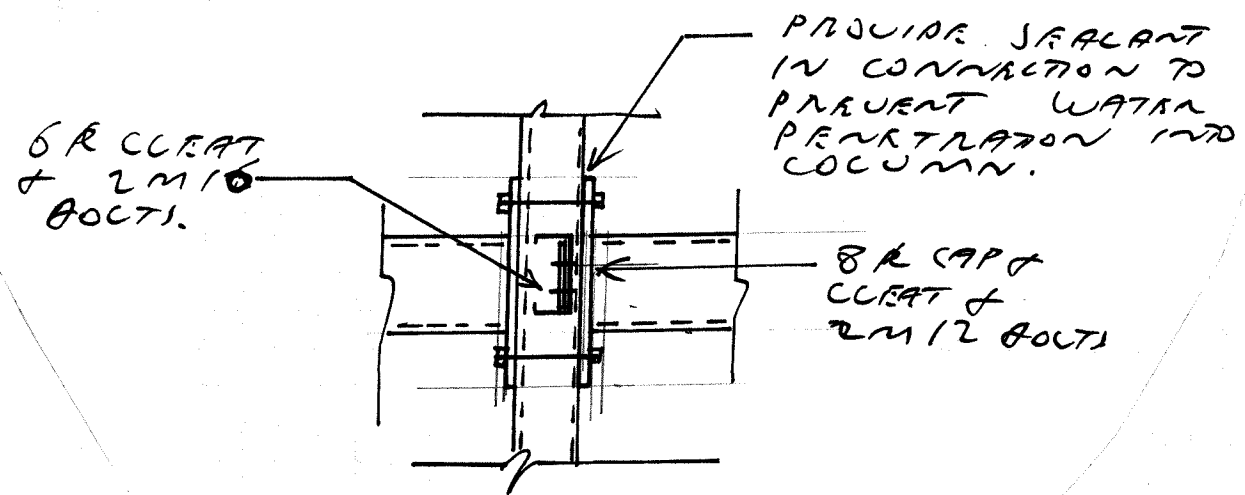
NOTE:- SHOP PRIME CAST-IN PLATE &
 1ST COAT OF WATTYCO COLO
 GALVANISED WITH WELDED
 CONNECTION.



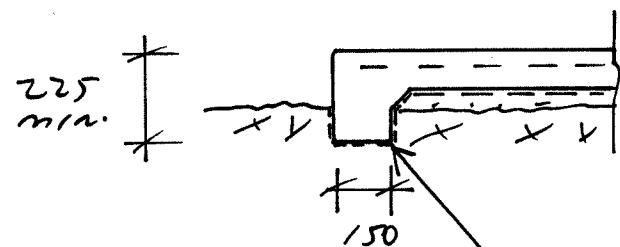
SECTION 2-2 1:10.



REV	DESCRIPTION	DATE	BY	CKD



SECTION 3-3 1:10.



EDGE DETAIL 1:20.
FOUND EDGE
50 MIN.
INTO FINISHED
GROUND.

REV	DESCRIPTION	DATE	BY	CKD

nja CONSULTING
STRUCTURAL CIVIL FORENSIC ENGINEERS
www.nja.com.au Ph 07 3208 4755

DRAWING TITLE <u>CONCRETE DESIGN</u>		ENGR <u>V.F.</u>	REG NO <u> </u>
PROJECT <u>MEMORIAL ANA9 STAGE.</u>	CLIENT <u>TANGENTEAR DESIGN.</u>	SIZE <u>A3</u>	SCALE <u> </u>
		DRG NO <u>190144-JK3</u>	SHEET OF <u> </u>
			REV <u> </u>